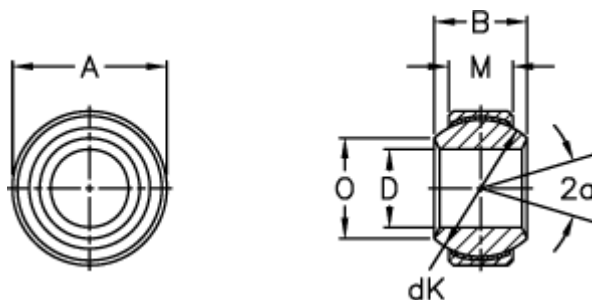


Article number: 03507020

Description: Fluro Rod end GE 20FW

## Measures



|                     |               |                 |
|---------------------|---------------|-----------------|
| A                   | = 42 0 -0,011 | Tilt angle = 17 |
| B                   | = 25          | Weight = 160    |
| D                   | = 20 0 -0,010 |                 |
| dK                  | = 35.5        |                 |
| Dynamic load C (kN) | = 51          |                 |
| M                   | = 16          |                 |
| O                   | = 25.2        |                 |
| Static load C0 (kN) | = 127         |                 |